

INSULATE
SEAL
PROTECT



1 KV CABLE TAP SPLICE KIT

ADHESIVE LINED, HEAT SHRINK WRAPAROUND SLEEVE THAT IS CLOSED WITH A FLEXIBLE STAINLESS-STEEL LOCKING CHANNEL. USED FOR MAKING IN-LINE Y OR H PARALLEL SPLICES ON CABLE UP TO 1000 V WITHOUT CUTTING THE MAIN OR RUN CABLE

FEATURES AND BENEFITS

- Provides water tight seal upon recovery
- Offers mechanical durability
- Suitable for connecting Main and Tap runs to 500 kcmil size
- Accommodates compression and split bolt connectors
- High shrink ratio covers irregular shapes
- High impact and abrasion resistance
- Application procedure is quick, simple and clean
- Steel channel provides permanent closure system
- Installation temperature range: -15°C to +50°C

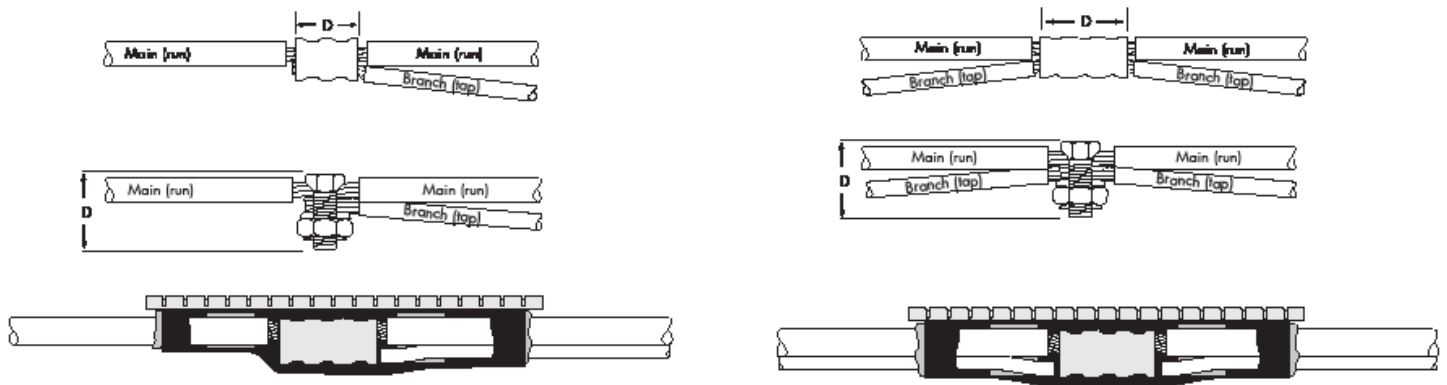
TYPICAL APPLICATIONS

- Cable tap splicing
- General re-jacketing and sealing of electrical cables



DIMENSIONS

ORDER NUMBER	MAIN (RUN) CABLE SIZE	BRANCH (TAP) CABLE SIZE	CONNECTOR DIMENSIONS	SLEEVE LENGTH
CRDW-CTX	AWG/KCMIL	AWG/KCMIL	"D" MAX.	IN
CRDW-CT1	#8 - #2	#10 - #2	2	6
CRDW-CT2	#2 - 4/0	#10 - 4/0	4	8
CRDW-CT3	4/0 - 500	#2 - 500	6	10



NOTE

- Split bolts can only be used up to #2 AWG Main and Branch cable sizes

ORDERING

- Select the cable run and tap combination and confirm that the connector dimensions are not exceeded.
- Please specify the product name plus the options you require
- Order Example: CRDW-CT1

Please contact your Customer Service Representative for information on non-standard sizes, combinations and material data sheet.